

Milling Equipment for Versatile Uses

# VERTICAL RICE WHITENER

VTA5AA-TA / 10AB-TA / 15AB-T



**VTA10AB-TA**

The design concept of the Satake Vertical Rice Whitener, VTA series, is the result of the accumulation of many years of vertical milling engineering expertise. This machine has incorporated all of the most modern techniques of vertical milling and has been proven to be "The Machine" in many major mills throughout the United States and Europe, and in Asian countries such as Thailand and India. The versatility of the VTA for milling all degrees of milled rice has given the industry the ideal machine.

## FEATURES:

### 1. Higher Milling Yield and Fewer Broken:

Evenly milled, higher yield rice with fewer broken and minimum moisture loss is obtained due to the adoption of the newly developed, state-of-the-art milling chamber.

### 2. Easy Operation:

The required whiteness is easily obtained by the adjustment of the discharge weight. An automatic milling degree controller is also available as an option.

### 3. Easy Replacement of Parts:

The abrasive rolls are easily withdrawn from the top of the unit, because the cantilevered main shaft design makes a bearing at the top of the machine unnecessary. The screens are of a "lift-away" design, which makes screen changes quick and easy without having to remove the frame from the machine. All other parts are easily accessible and readily changeable.

### 4. Minimum Bran Residue Inside Machine:

In the section below the milling chamber, there is a bran rotor valve which assists in removing bran from the machine.

※Satake VTA is also applicable for other grains, e.g. barley, oats, sorghum, wheat etc. Please contact your Satake Representative office for details.

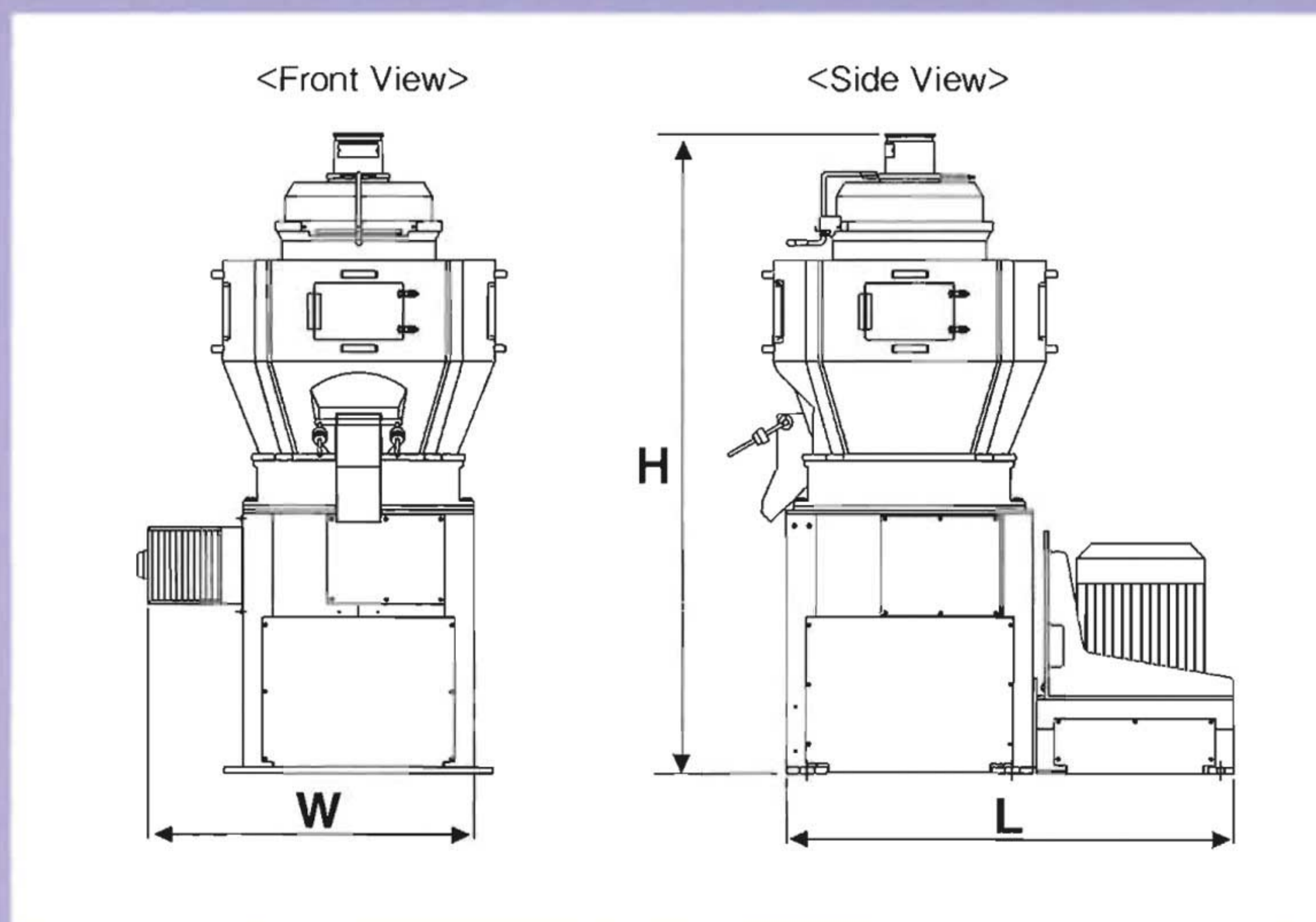
# VERTICAL RICE WHITENER

## Specifications

Model		VTA5AA-TA	VTA10AB-TA	VTA15AB-T
Input Capacity (t/h)	Non-Parboiled	2~3	5~6	6~8
	Parboiled	1.5~2.5	4~5	5~6
Motor(kW)		22~30(4P)	45~55(6P)	55~75(6P)
Required Air Volume(m <sup>3</sup> /min)		30	50	60
Static Pressure(kpa)		0.8~1.0	1.0~1.5	1.0~1.5

\*Input capacity is depending on the variety and type of material

## Dimensions



Model	W(mm)	L(mm)	H(mm)	Weight(kg)*1
VTA5AA-TA	1,052	1,719	2,309	900
VTA10AB-TA	1,235	1,694	2,148	1,300
VTA15AB-T	1,294	1,731	2,150	1,700

\*1 Approximate Shipping Weight (without motor)

All Satake products are the subject of continuous development and, as a result, their specification may change and differ in detail from those shown.

## SATAKE CORPORATION

**Head Office**  
2-30 Saijo Nishihonmachi,  
Higashi-Hiroshima-shi,  
Hiroshima-ken, 739-8602, Japan  
Tel: +81-82-420-8560/8539  
Fax: +81-82-420-0865  
e-mail: international@satake-japan.co.jp  
URL: www.satake-japan.co.jp

**SATAKE USA INC.**  
10905 Cash Road,  
Stafford, Texas, 77477, U.S.A.  
Tel: +1-281-276-3600  
Fax: +1-281-494-1460  
e-mail: rice@satake-usa.com  
URL: www.satake-usa.com

**SATAKE (CANADA) INC.**  
5100 Fallingbrook Drive,  
Mississauga, Ontario, L5V 1S7,  
Canada  
Tel: +1-905-858-0791  
Fax: +1-905-858-0957  
e-mail: sales@satake-canada.com

**SATAKE AMERICA LATINA LTDA.**  
Rua Xavantes, 155-Pav. 20,  
Bairro Atiradores, CEP  
89203-210, Joinville, Santa  
Catarina, Brazil  
Tel: +55-47-3461-1313  
Fax: +55-47-3461-1300  
e-mail: ricardo@satake.com.br

**SATAKE EUROPE LTD.**  
P.O. Box 53, Horsfield Way,  
Bredbury Industrial Park, Bredbury,  
Stockport, Cheshire, SK6 2FG, U.K.  
Tel: +44-161-406-3800  
Fax: +44-161-406-3801  
e-mail: sales@satake-europe.com  
URL: www.satake-europe.com

**SATAKE INDIA ENGINEERING PVT. LTD.**  
4th Floor, Tower-1, HB Twin Towers,  
A2, 3, 4, Nelaji Subhash Place,  
Wazirpur District Centre, New  
Delhi, 110034, India  
Tel: +91-11-4706-2626  
Fax: +91-11-4706-2624  
e-mail: satake@del2.vsnl.net.in

**SATAKE (THAILAND) CO., LTD.**  
133 Moo 5, Bangkadi Industrial  
Park, Tivanon Road, Pathumthani,  
12000, Thailand  
Tel: +66-2-501-1180  
Fax: +66-2-501-1188  
e-mail: sataketh@asia.com  
URL: http://www.sataketh.com/

**SATAKE INTERNATIONAL BANGKOK CO., LTD.**  
888/84 Mahatun Plaza Bld., 8th  
Floor, Ploenchit Rd., Lumpini,  
Pathumwan, Bangkok, 10330,  
Thailand  
Tel: +66-2-651-5845  
Fax: +66-2-651-5848  
e-mail: sataketh@asia.com

**SATAKE MANUFACTURING (SUZHOU) CO., LTD.**  
229 Jin Feng Road, Suzhou New  
District, Suzhou, Jiangsu Province,  
215129, China  
Tel: +86-512-6536-8225  
Fax: +86-512-6536-5922  
e-mail: satake@satake.cn

**SATAKE AUSTRALIA PTY. LTD.**  
15 Leland Street, Penrith, N.S.W.,  
2750, Australia  
Tel: +61-2-4725-2600  
Fax: +61-2-4725-2601  
e-mail: info@satake.com.au  
URL: www.satake.com.au

SATAKE CORPORATION has  
obtained ISO 9001 and ISO  
14001 certification.  
These international standards  
for management systems  
ensure Satake will continue to  
provide high quality products  
and services.

ISO 9001 Certification  
(Quality Management Systems)

ISO 14001 Certification  
(Environmental Management Systems)