

Polishing Machine for Improved Product Quality

MILLING POLISHER

KB100PA-T



KB100PA-T

SATAKE CORPORATION

The Satake Milling Polisher KB100PA-T cleans the surface of rice, significantly enhancing the quality of finished products. The machine has achieved an excellent reputation in many countries for its high performance and for the innovations which have been incorporated over the past 30 years.

FEATURES:

1. Increased capacity

Enhanced conveying and polishing systems provide the highest capacity of KB series without much increasing installation space.

2. Improves rice quality

Greater mist-adding capacity controls rice temperature during polishing and allows uniform removal of bran, producing brilliantly white, shiny rice.

3. Easy maintenance

A redesigned main body side cover greatly improves maintenance efficiency.

4. Easy operation

The flow control dial is located on the upper part of the front panel for easy access and operation.

5. Broad applicability

Use in combination with other Satake milling equipment to process a wide variety of rice, including GABA and parboiled rice.

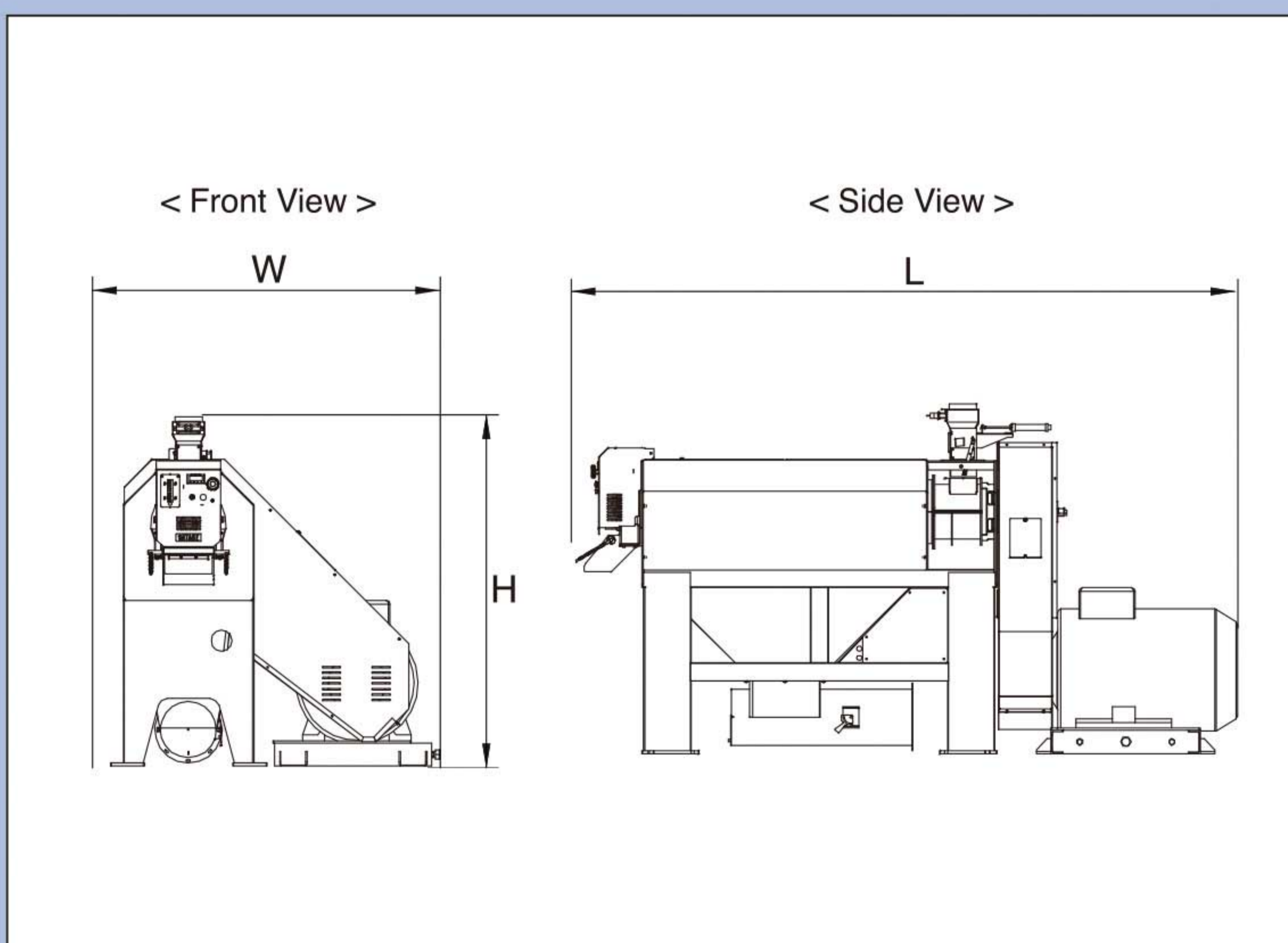
MILLING POLISHER

Specifications

Model	KB100PA-T
Required Power (kW)	90
Input Capacity (t/h)*	6~8
Required Air Volume (m ³ /min)	60
Required Static Pressure (kPa)	-1.5~2.0
Net Weight (kg)	1,147

* Input capacity depends on material.

Dimensions



Model	W(mm)	L(mm)	H(mm)
KB100PA-T	1,790	3,600	1,900

* It is recommended to install a Rotary Sifter just before the machine to remove broken grains and branny material for the following cases:

- a- When processing white rice to produce the best-polished rice.
- b- When using the machine as a rice whitening machine.

All Satake products are the subject of continuous development and, as a result, their specification may change and differ in detail from those shown.

SATAKE CORPORATION

Head Office
2-30 Saijo Nishihonmachi,
Higashi-Hiroshima-shi,
Hiroshima-ken, 739-8602, Japan
Tel : +81-82-420-8560/8539
Fax : +81-82-420-0865
URL : www.satake-japan.co.jp

SATAKE USA INC.
10900 Cash Road,
Stafford, Texas, 77477, U.S.A.
Tel: +1-281-276-3600
Fax : +1-281-494-1460
URL : www.satake-usa.com

SATAKE (CANADA) INC.
5100 Fallingbrook Drive,
Mississauga, Ontario, L5V 1S7,
Canada
Tel : +1-905-858-0791
Fax : +1-905-858-0957
e-mail :
sales@satake-canada.com

SATAKE AMERICA LATINA LTDA.
Rua Xavantes, 155-Pav. 20,
Bairro Atiradores, CEP
89203-210, Joinville, Santa
Catarina, Brazil
Tel : +55-47-3461-1313
Fax : +55-47-3461-1300
URL : www.satake.com.br/

SATAKE EUROPE LTD.
P.O. Box 53, Horsfield Way,
Bredbury Industrial Park, Bredbury,
Stockport, Cheshire, SK6 2SU, U.K.
Tel : +44-161-406-3800
Fax : +44-161-406-3801
URL : www.satake-europe.com

SATAKE CORPORATION has obtained ISO 9001 and ISO 14001 certification. These international standards for management systems ensure Satake will continue to provide high quality products and services.

SATAKE INDIA ENGINEERING PVT. LTD.
4th Floor, Tower-1, HB Twin
Towers, A2, 3, 4, Netaji Subhash
Place, Wazirpur District Centre,
New Delhi, 110034, India
Tel: +91-11-4706-2626
Fax: +91-11-4706-2624
URL : www.satakeindia.com/

SATAKE (THAILAND) CO., LTD.
133,134 Moo 5, Bangkadi, Mueang
Pathum Thani, Pathum Thani
12000, Thailand
Tel : +66-2-501-1180
Fax : +66-2-501-1188
URL : www.sataketh.com:8080/

SATAKE INTERNATIONAL BANGKOK CO., LTD.
888/84 Mahatun Plaza Bld., 8th
Floor, Ploenchit Rd., Lumpini,
Pathumwan, Bangkok, 10330,
Thailand
Tel : +66-2-651-5845
Fax : +66-2-651-5848
URL : www.sataketh.com:8080/

SATAKE MANUFACTURING (SUZHOU) CO., LTD.
229 Jin Feng Road, Suzhou New
District, Suzhou, Jiangsu Province,
215129, China
Tel : +86-512-6536-8225
Fax : +86-512-6536-5922
URL : www.satake.cn/

SATAKE AUSTRALIA PTY. LTD.
15 Leland Street, Penrith, N.S.W.,
2750, Australia
Tel : +61-2-4725-2600
Fax : +61-2-4725-2601
URL : www.satake.com.au

ISO 9001 Certification
(Quality Management Systems)
ISO 14001 Certification
(Environmental Management Systems)